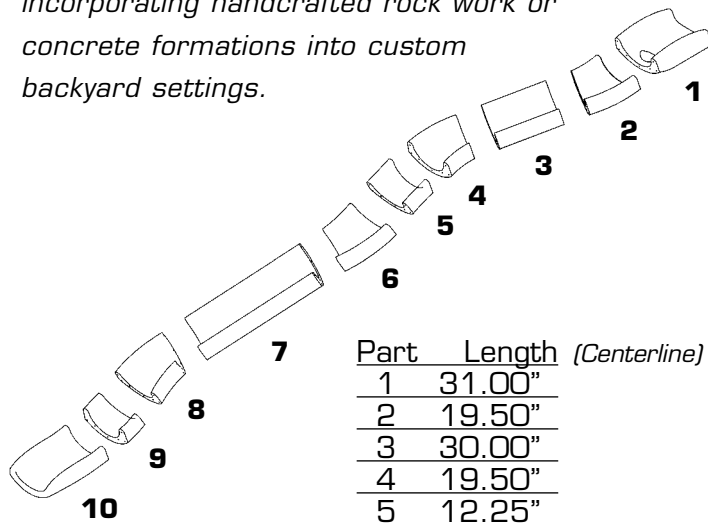


## RESIDENTIAL SLIDES - GEL COAT:

The **BYOS** slides are **CUSTOM** slides and cannot be ordered without going through the quote and design process at Inter-Fab. 800-737-5386

*The Build Your Own Slide™ (BYOS™) provides easy slide solutions to builders incorporating handcrafted rock work or concrete formations into custom backyard settings.*



Part	Length (Centerline)
1	31.00"
2	19.50"
3	30.00"
4	19.50"
5	12.25"
6	22.00"
7	60.00"
8	22.00"
9	12.25"
10	36.00"

### FEATURES:

- A Collection of 10 Different Flume Sections That Can Be Used in Endless Quantities & Combinations
- Exclusive Zoom Flume™ Water Delivery System
- Construction Anchoring System Included
- Stainless Steel Hardware Included
- Optional Handrails Available
- Variety of Earth Tones & Gray Colors Available
- Advanced High-Tech RTM Manufacturing
- Weight Limit = 250 lbs.
- Multiple Patents Pending

### BYOS STANDARD COLORS:

Tan: -51;  
 Gray: -52;  
 Summit Gray: -.53;

### BYOS CUSTOM COLORS:

Mont Blanc: -54;  
 Pebble: -55;  
 Fashion Gray: -56  
 Cappuccino: -57

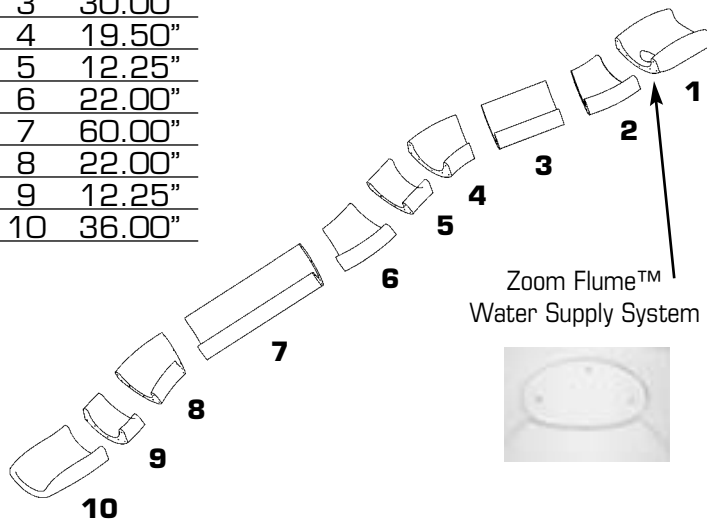
**(add custom color code behind part #)**



## BYOS™ (BUILD YOUR OWN SLIDE):

The **BYOS** slides are **CUSTOM** slides and cannot be ordered without going through the quote and design process at Inter-Fab. 800-737-5386

Part	Length (Centerline)
1	31.00"
2	19.50"
3	30.00"
4	19.50"
5	12.25"
6	22.00"
7	60.00"
8	22.00"
9	12.25"
10	36.00"



### FEATURES:

- A Collection of 10 Different Flume Sections That Can Be Used in Endless Quantities & Combinations
- Exclusive Zoom Flume™ Water Delivery System
- Construction Anchoring System Included
- Stainless Steel Hardware Included
- Optional Handrails Available
- Variety of Earth Tones & Gray Colors Available
- Advanced High-Tech RTM Manufacturing
- Weight Limit = 250 lbs.
- Multiple Patents Pending

### BYOS STANDARD COLORS:

Tan: -51;  
 Gray: -52;  
 Summit Gray: -.53;

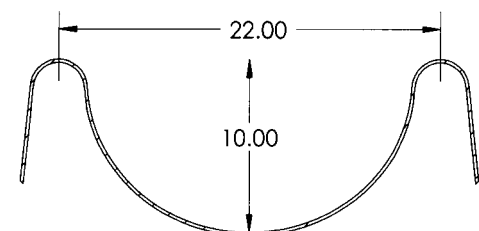
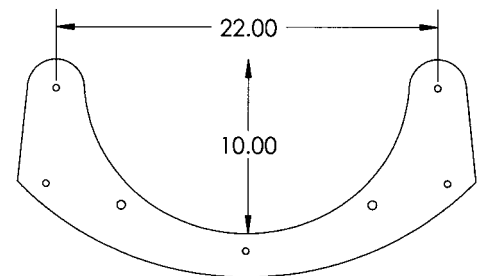
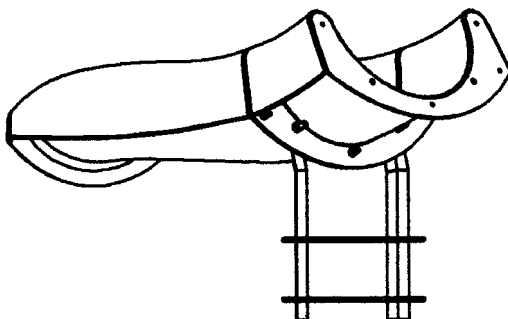
### BYOS CUSTOM COLORS:

Mont Blanc: -54;  
 Pebble: -55;  
 Fashion Gray: -56  
 Cappuccino: -57

**(add custom color code behind part #)**

### 10 PIECES TO CHOOSE FROM:

1. Entry Section with built in 15° down slope and Zoom Flume™ water delivery system
2. Right Turn 15° Slope Section (3' radius)
3. 2.5' Straight Section
4. Left Turn 15° Slope Section (3' radius)
5. 15° Down Wedge
6. Right Turn 30° Slope Section (3' radius)
7. 5.0' Straight Section
8. Left Turn 30° Slope Section (3' radius)
9. 15° Up Wedge
10. Exit Section with built in 15° up slope



## BYOS™ (BUILD YOUR OWN SLIDE):

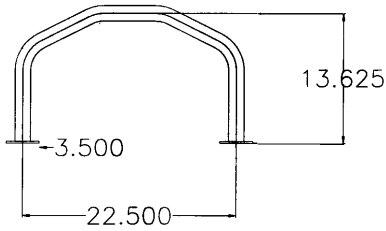
The BYOS slides are CUSTOM slides and cannot be ordered without going through the quote and design process at Inter-Fab. 800-737-5386

### THE OPTIONAL ASSIST RAILS

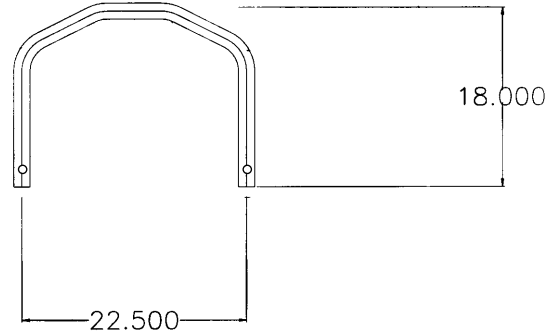
#### SEATING ASSIST RAIL:

Entry section handrails are available in both surface mount with 3.5" flange (3 bolts) or sub-surface mount versions.

#### Surface Mount 3.5" Flange:



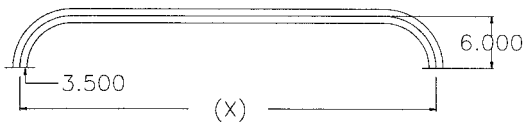
#### Sub-Surface Mount:



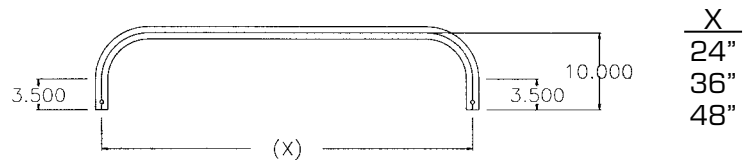
#### CLIMBING ASSIST RAIL:

Climbing assist rails are available in both surface mount (3.5" flange) or sub-surface mount versions. Climbing assist rails are available in standard 24", 36" and 48" lengths. Custom rails are available.

#### Surface Mount 3.5" Flange:



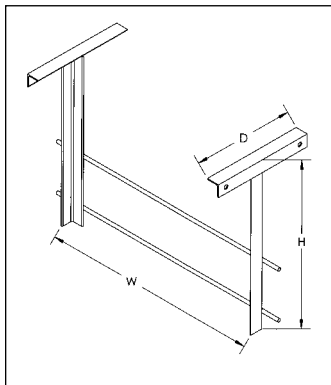
#### Sub-Surface Mount:



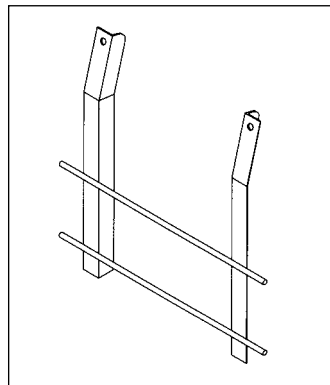
X  
24"  
36"  
48"

### C. ANCHOR/SUPPORT SYSTEM

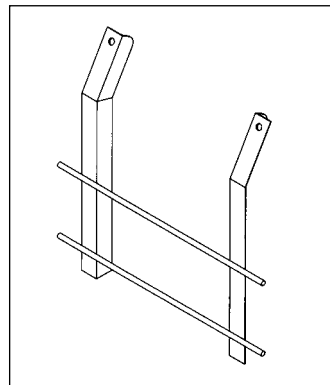
The Construction Anchoring/Support System is comprised of: entry section support that will be placed into concrete pier of 1' long x 3' wide x 2' deep (contractor provided). The vertical 15° and 30° anchors will attach to connection points specified during our design process, and are placed into concrete piers that are 1' long x 2' wide x 2' deep (contractor provided). The anchor/supports are powder coated black at the factory for protection. Determination of the quantity and placement of the anchors will be done within the CAD process.



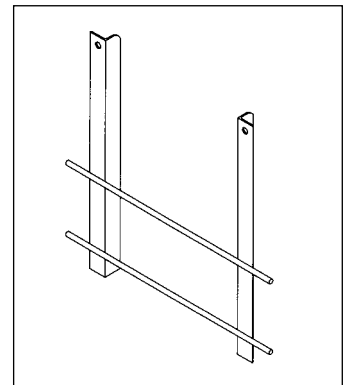
Seating Support Anchor



15° Support Anchor



30° Support Anchor



Vertical Support Anchor