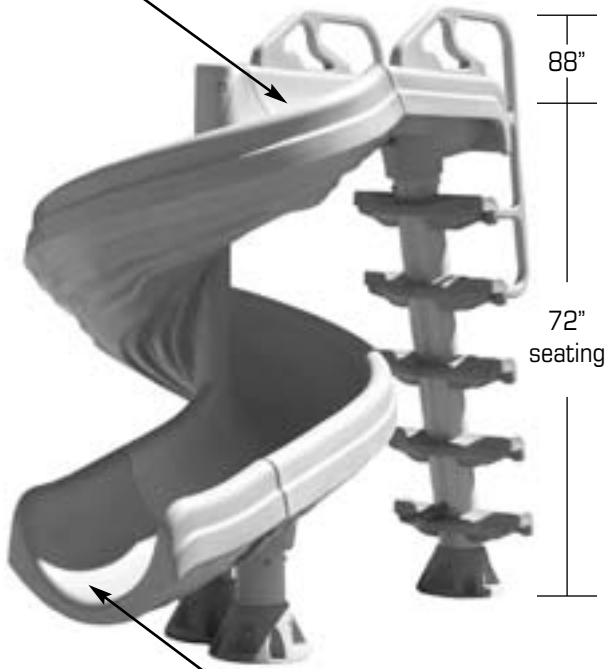


G-FORCE™ SLIDE:

Water Supply System



Deep Flume Provides Sliding Comfort for All Ages

FEATURES:

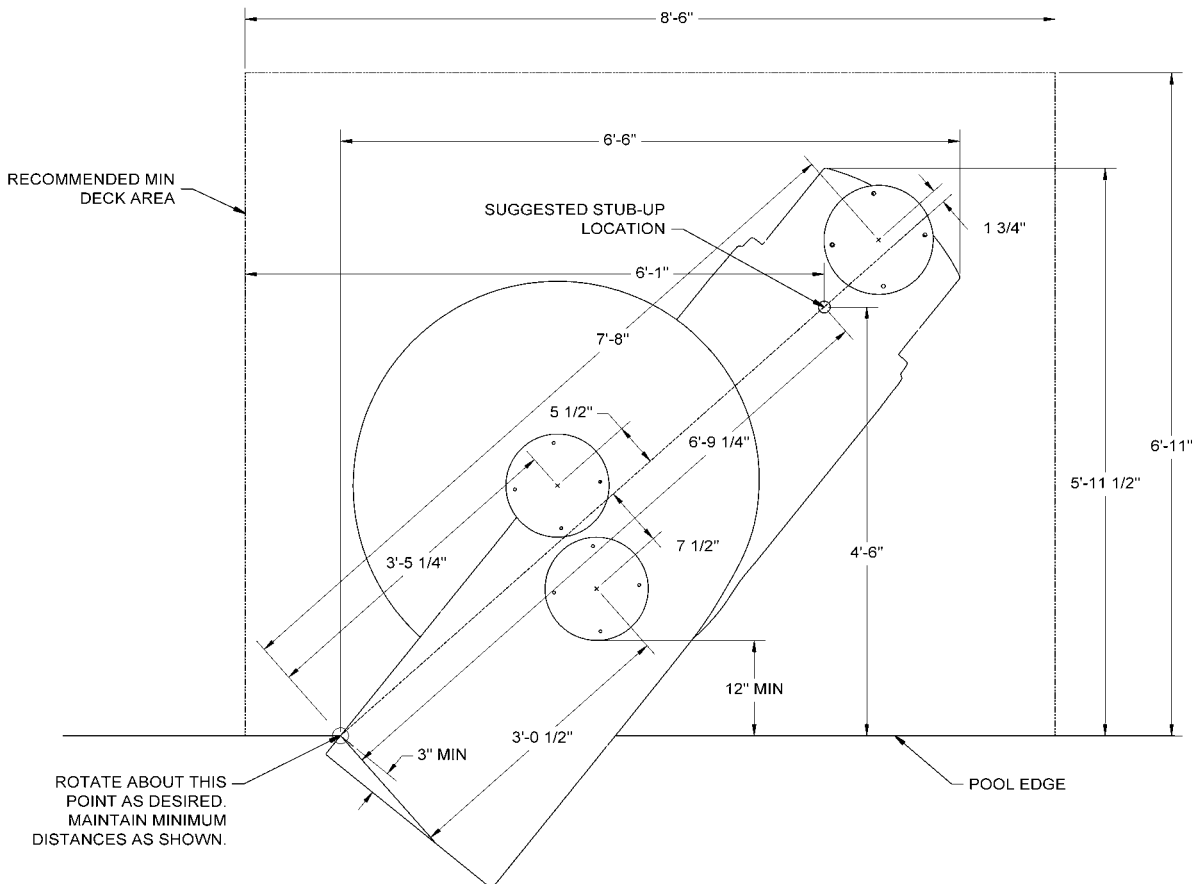
- Rotational Moulded - Polyethylene Construction on Flume, Steps, Rails & Leg Supports (PVC Legs)
- Available in Summit Gray Only
- Assembles in One Direction Only With Straight Exit Into the Pool
- 72" High at Seating Area
- Fantastic Water Supply System
- Stainless Steel Hardware
- Fully Moulded Treads Provide Safe Access to Slide Flume
- Weight Limit = 250 Lbs.

G-FORCE™ SLIDE

DESCRIPTION	PART NUMBER
G-Force Slide Complete - gray	Part #G4C

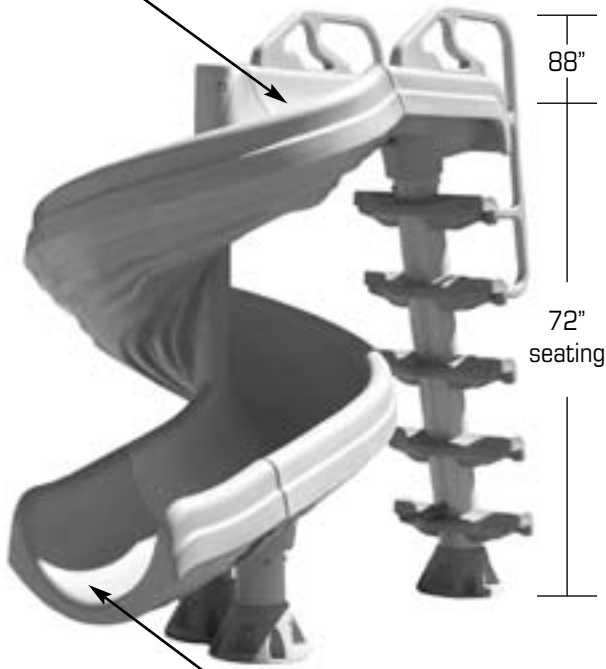
comes w/ss hardware

G-Force Footprint When Slide Pivoted From Rear to The Left



G-FORCE™ SLIDE:

Water Supply System



Deep Flume Provides Sliding Comfort for All Ages

FEATURES:

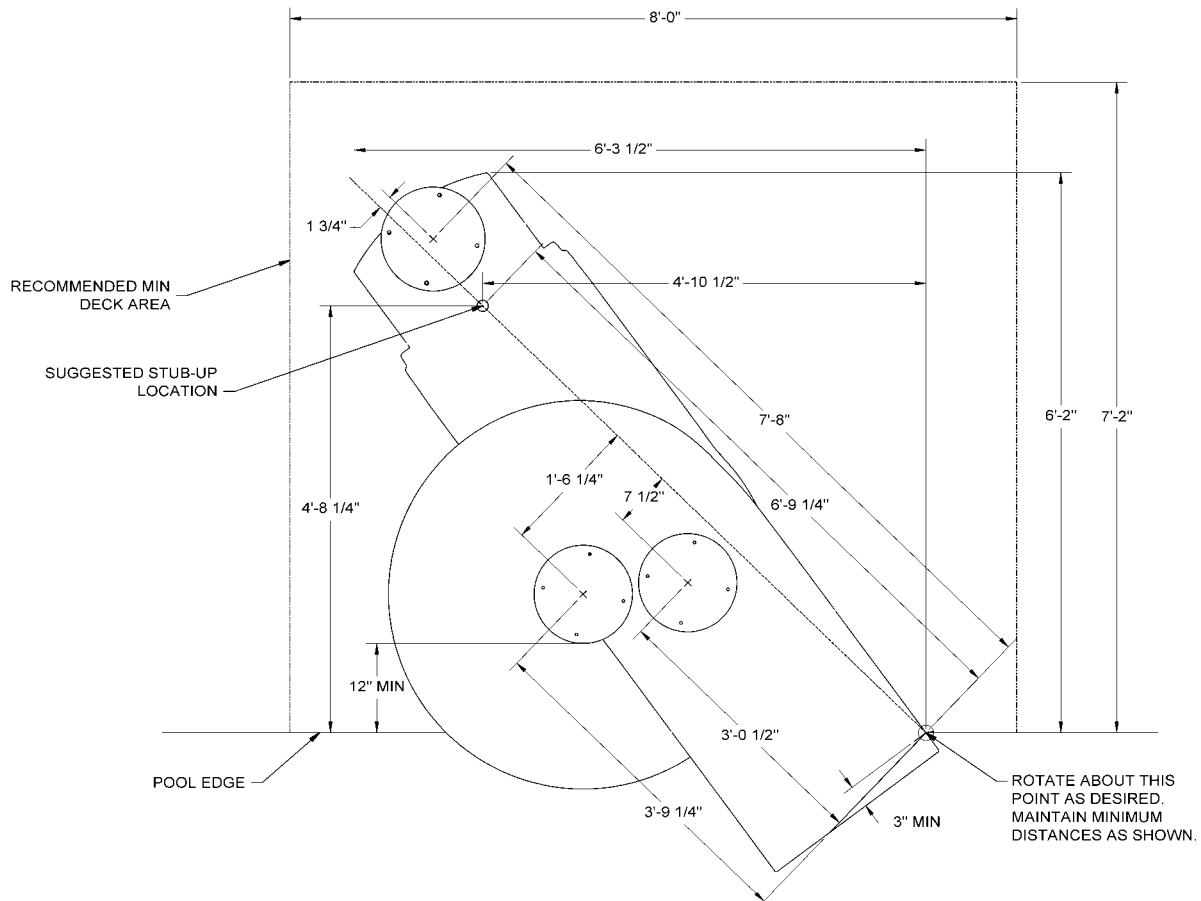
- Rotational Moulded - Polyethylene Construction on Flume, Steps, Rails & Leg Supports (PVC Legs)
- Available in Summit Gray Only
- Assembles in One Direction Only With Straight Exit Into the Pool
- 72" High at Seating Area
- Fantastic Water Supply System
- Stainless Steel Hardware
- Fully Molded Treads Provide Safe Access to Slide Flume
- Weight Limit = 250 Lbs.

G-FORCE™ SLIDE

DESCRIPTION	PART NUMBER
G-Force Slide Complete - gray	Part #G4C

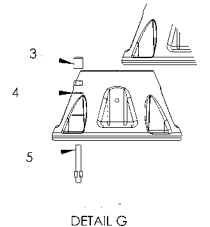
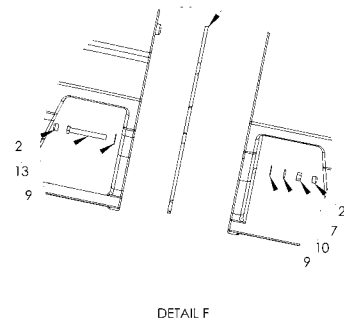
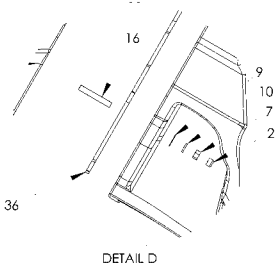
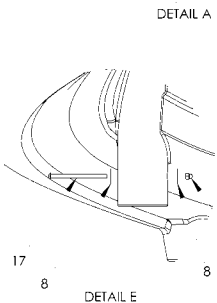
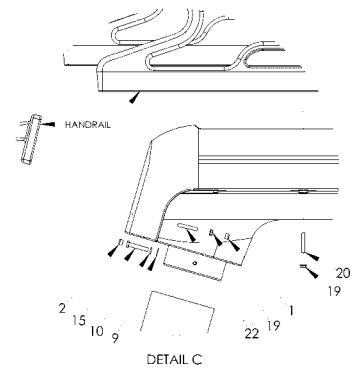
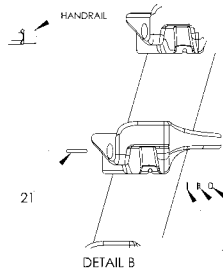
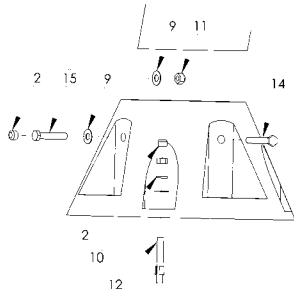
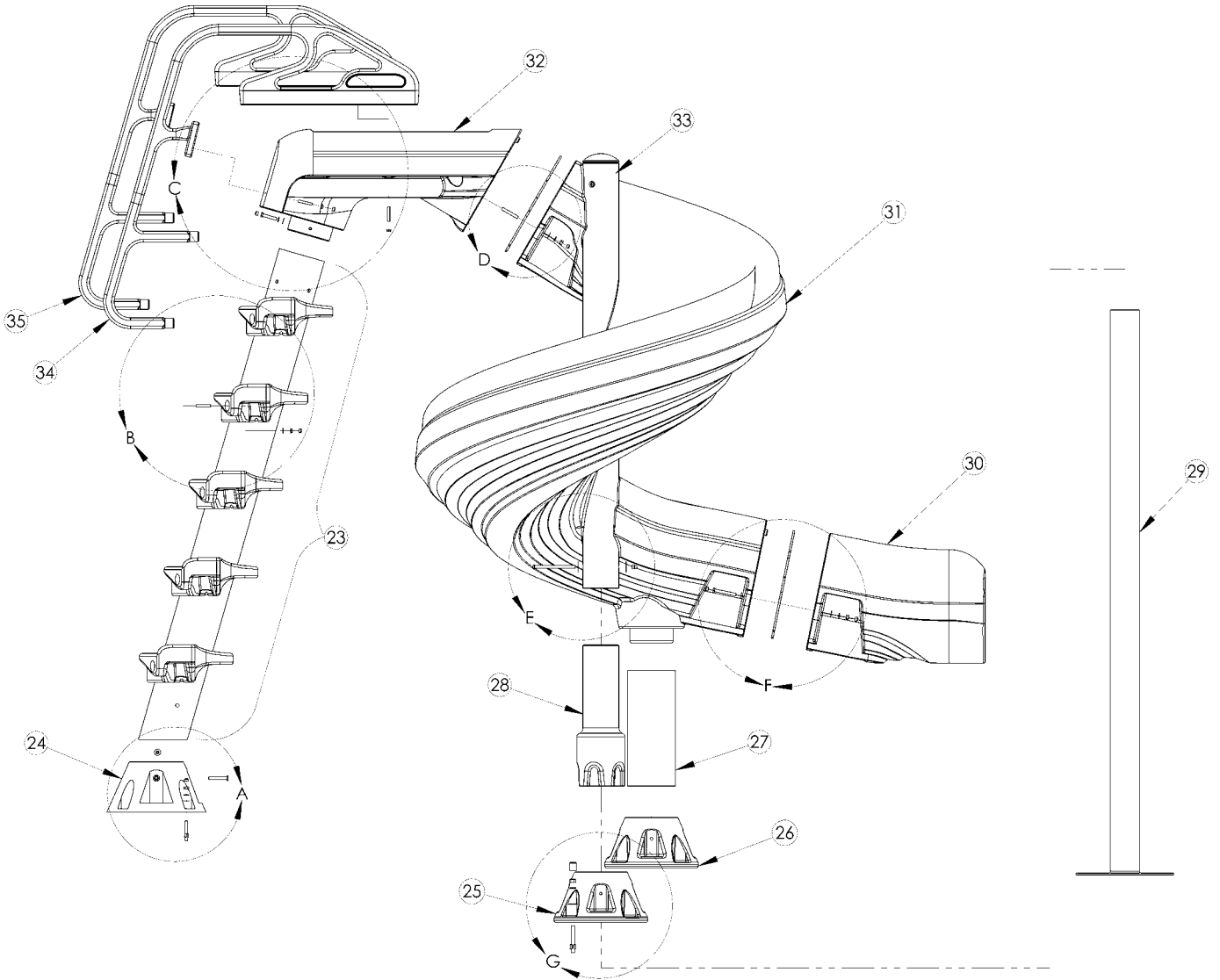
comes w/ss hardware

G-Force Footprint When Slide Pivoted From Rear to The Right



G-FORCE™ SLIDE (G4C):

RESIDENTIAL SLIDES



G-FORCE™ SLIDE (G4C):

ALL CHART INFORMATION BELOW CORRESPONDS WITH THE DRAWING ON THE PREVIOUS PAGE.



DRAWING REPRESENTS THE FOLLOWING PART NUMBERS:
G4C

RESIDENTIAL SLIDES

ITEM #	COMPONENT	DESCRIPTION	KITS - QTY. COUNTS					
			G4C-101	G4C-102	G4C-103	G4C-104	G4C-105	N/A
1	H-.463 X .310 CAP	GRAY PROTECTIVE CAP					8	
2	H-.562 X .390 CAP	GRAY PROTECTIVE CAP	11	15	8	8		
3	H-1 WHT CAP	.750" X 1" GRAY NUT CAP				4		
4	H-SS 1/2 LOC WA	1/2" SPLIT LOCK WASHER S.S.				4		
5	H-SS 1/2X3-3/4	1/2" X 3-3/4" WEDGE ANCHOR W/NUT & FLAT WASHER S.S.				4		
6	H-SS 3/8 ACORN	3/8" ACORN NUT			2			
7	H-SS 3/8 F NUT	3/8" FINISH NUT S.S.		10				
8	H-SS 3/8 FENDER	3/8" X 1-1/2" FENDER WASHER			4			
9	H-SS 3/8 FLT WASHER	3/8" X 1" FLAT WASHER S.S.	22	15	8			
10	H-SS 3/8 LOC WASHER	3/8" LOCK WASHER S.S.		10	8	8		
11	H-SS 3/8 NYLON	3/8" NYLON INSERT NUT S.S.	11					
12	H-SS 3/8 WEDGE	3/8" X 2-3/4" WEDGE ANCHOR W/NUT & FLAT WASHER S.S.				8		
13	H-SS 3/8 X 3 TAP	3/8" X 3" HEX HEAD TAP BOLT S.S.		5				
14	H-SS 3/8 X2-1/2	3/8" X 2-1/2" HEX HEAD BOLT S.S.	1					
15	H-SS 3/8-16X2	3/8" X 2" HEX HEAD BOLT S.S.	10		8			
16	H-SS 3/8X2-1/2	3/8" X 2-1/2" ALL-THREAD STUD S.S.		5				
17	H-SS 3/8X5 BUTT	3/8" X 5" BUTTON HEAD SOCKET BOLT			2			
18	H-SS 5/16 FLA WASHER	5/16" FLAT WASHER S.S.					4	
19	H-SS 5/16 SER	5/16" SERRATED FLANGE NUT					14	
20	H-SS 5/16 X 2	5/16" X 2" ALL-THREAD STUD S.S.					6	
21	H-SS 5/16 X 2-1/2	5/16" X 2-1/2" ALL-THREAD STUD S.S.					4	
22	H-SS 5/16 X 3	5/16" X 3" ALL-THREAD STUD S.S.					4	
23	G4C-STEP ASSEMBLY	COMPLETE ASSEMBLED STEP ASSEMBLY						1
24	XS-16 FOOT PED	LADDER FOOT						1
25	XS--FOOT PEDASTA	SUPPORT POLE FOOT						1
26	XS--FOOT PEDASTA	SHORT LEG FOOT						1
27	H-6 x 17.125	6 X 17.125 GRAY PVC PIPE SCHEDULE 40						1
28	G4C-LEG EXT	G-FORCE HELIX POLE EXTENSION						1
29	WIP-HELIX TUBE	STEEL CENTER SUPPORT POLE						1
30	G4C-EXIT	G-FORCE EXIT SECTION						1
31	G4C-HELIX	G-FORCE HELIX SECTION						1
32	G4C-ENTRY	G-FORCE ENTRY SECTION						1
33	G4C-CAP	G-FORCE SUPPORT POLE CAP						1
34	G4C-R HANDRAIL	G-FORCE RIGHT HANDRAIL						1
35	G4C-L HANDRAIL	G-FORCE LEFT HANDRAIL						1
36	H-G4C GASKET	GASKET FOR G-FORCE SLIDE						2

NOTES:

G-Force slide only comes in Summit Gray.

G-FORCE

WATER SAFETY ENVELOPE:

A minimum water depth of three feet (3') under the exit of the slide which increases to a depth of four feet six inches (4'6") at point A which is located four feet six inches (4'6") from the back wall of the pool. A minimum depth of four feet six inches (4'6") must be maintained at a distance of nine feet (9') along the centerline of the slide from point A. The above described water depth profile shall extend a minimum of three feet three inches (3'3") on either side of the centerline of the slide. (See Diagrams A, B & C)

DIAGRAM A
(NOT TO SCALE)

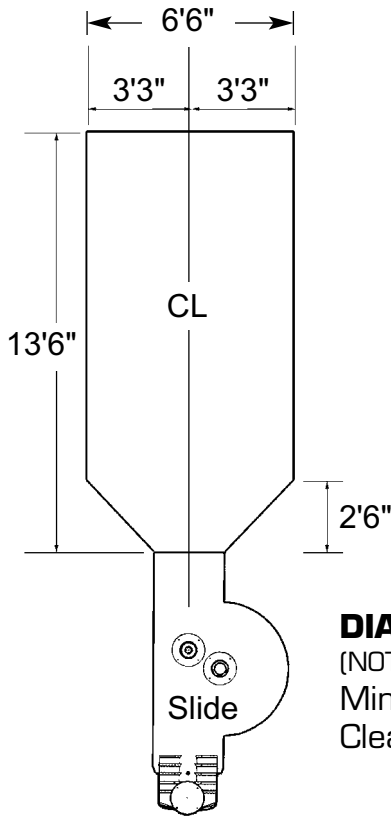
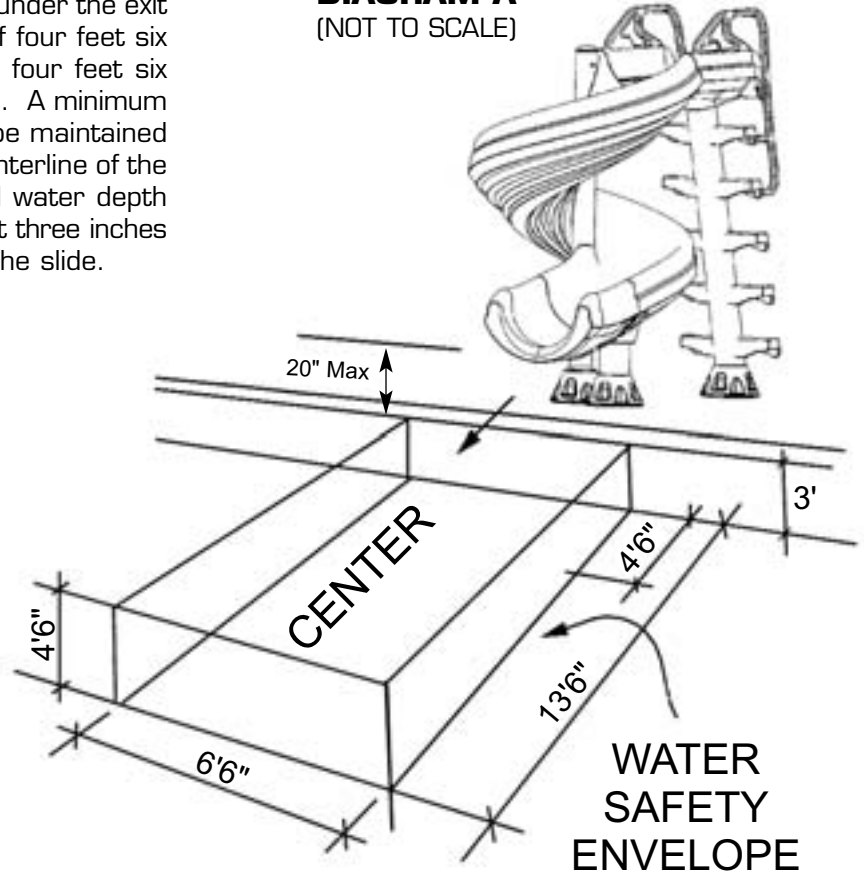
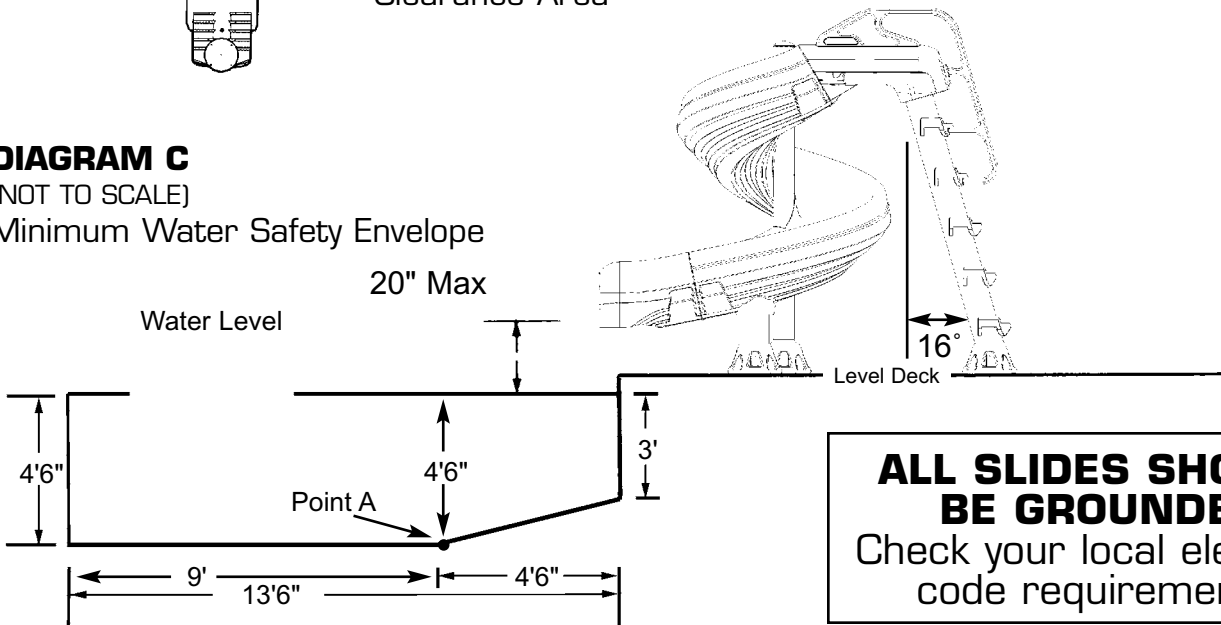


DIAGRAM B
(NOT TO SCALE)
Minimum Slide
Clearance Area

DIAGRAM C
(NOT TO SCALE)
Minimum Water Safety Envelope



**ALL SLIDES SHOULD
BE GROUNDED**
Check your local electrical
code requirements.

INTENDED USE INSTRUCTIONS - SLIDE PRODUCTS

1. Everyone who uses a slide must know, understand and follow these instructions
2. The 1999 ANSI/NSPI 4 standard for above ground pools prohibits the use of slides or diving boards on aboveground pools.
3. A Slide is designed for residential inground pool use only. A slide may not be used on any above ground pool. Such use of a slide may result in serious injury or death.
4. A slide should never be installed on onground pools, ponds, floating docks or platforms, boat docks or houseboats or any natural body of water.
5. A slide should never be installed on any commercial, public or semi-public pool.
6. Be familiar with the shape and depth of the pool before you slide. A slide should only be used with the proper water safety envelope, as described in the installation manual and in accordance with the slide positioning instructions, also described in the installation manual.
7. Because a slide may only be used in water 4' deep or greater*, all slide users must be able to swim in deep water. [*The Zoomerang slide requires a water envelope depth of 3'6" or greater.]
8. Weight limit for a slide is 200-250 pounds depending on the slide model, no slider weighing more than the maximum weight limit for any given slide may use the slide.
9. The surface of the slide is very slippery when wet; **USE CAUTION** when entering the slide and when transitioning from standing to sitting.
10. Slide in a feet first sitting position **ONLY**.
11. **IMPORTANT: sliding headfirst is prohibited:** serious spinal injury resulting in paralysis or death can result.
12. Maintain adult supervision at all times.
13. Only one person at a time is allowed on the slide; this includes the ladder.
14. Be sure the water delivery system is on and lubricating the slide prior to use.
15. Collision with another swimmer or a diver can result in serious injury or death for one or both persons: Before sliding, always make sure that the path in front of the slide is free from any (including submerged) obstructions including other people or objects in the pool such as rafts, inner tubes etc. When a diving board is also present, make sure you do not use the slide while someone is on or using a diving board. Take turns.
16. No roughhousing or horseplay should be allowed on the slide at any time.
17. Do not stand, jump or dive from any part of the slide.
18. Do not slide on objects such as rafts or inner tubes. doing so greatly increases your risk of injury.
19. Do not slide through or at objects such as rafts or inner tubes, doing so greatly increases your risk of injury.
20. Do not use a slide if physically impaired or handicapped without your doctor's permission.
21. Do not use a slide with a history of heart conditions, seizures, back problems, fainting or fear of heights.
22. Do NOT use a slide if you are pregnant.
23. Do not drink alcohol and use a slide.
24. Don't take chances, inspect the slide at least once a year. Do not use the slide if any part becomes loose, damaged, weakened or broken. If necessary, before using the slide again, have it inspected and repaired by a competent professional familiar with pool slides.

WARNING: SERIOUS INJURY OR DEATH CAN RESULT FROM THE IMPROPER INSTALLATION OR USE OF A SLIDE.



When installed according to the slide installation instructions, our slides substantially conform to Consumer Product Safety Standard Guidelines.

SLIDE CARE & MAINTENANCE:

ACRYLIC & POLYETHYLENE COMPONENTS -

1: General Cleaning

- Use nonabrasive soap and water when possible.
- Review cleaner's label instructions before applying to acrylic surface.
- Avoid harsh chemicals and disinfectants.

You may safely use:*

- Chlorox
- Spic & Span Powder
- Mr. Clean
- Formula 409
- Windex
- Glass Plus
- Calgon Bath Oil Beads

Do not use:

- Lysol Disinfectant Spray
- Dow Disinfectant Bathroom Cleaner
- Pinesol
- Whitecap
- Lestoil

2: Light scratches, abrasions, gloss, etc.

Light abrasions and scratches may be removed and original gloss fully restored using the following materials.*

- Novus Plastic Polish (Novus, Inc.)
- Mirror Glaze Professional Formula #17 (Mirror Bright Polish Co., Irvine, CA)
- Permatex Plastic Cleaner #403D (Permatex Co., Kansas City, KS)
- "J-Wax" or "Kit" Automotive Cleaner/Waxes (S.C. Johnson & Son)
- DuPont or Turtlewax "White Polish" automotive polishing compound.

Light Scratches: Very light scratches, scuff marks and haze can be hand polished with Permatex Plastic Cleaner or Gel-Glass. Follow the manufacturer's guidelines. Clean cotton cloth works best for applying the polish and buffing.*

***These suggestions and data based on information we believe to be reliable, from our acrylic manufacturer. They are offered in good faith, but without guarantee, as conditions and methods of use and procedures are beyond our control.**