

T7™ DIVING SYSTEM:

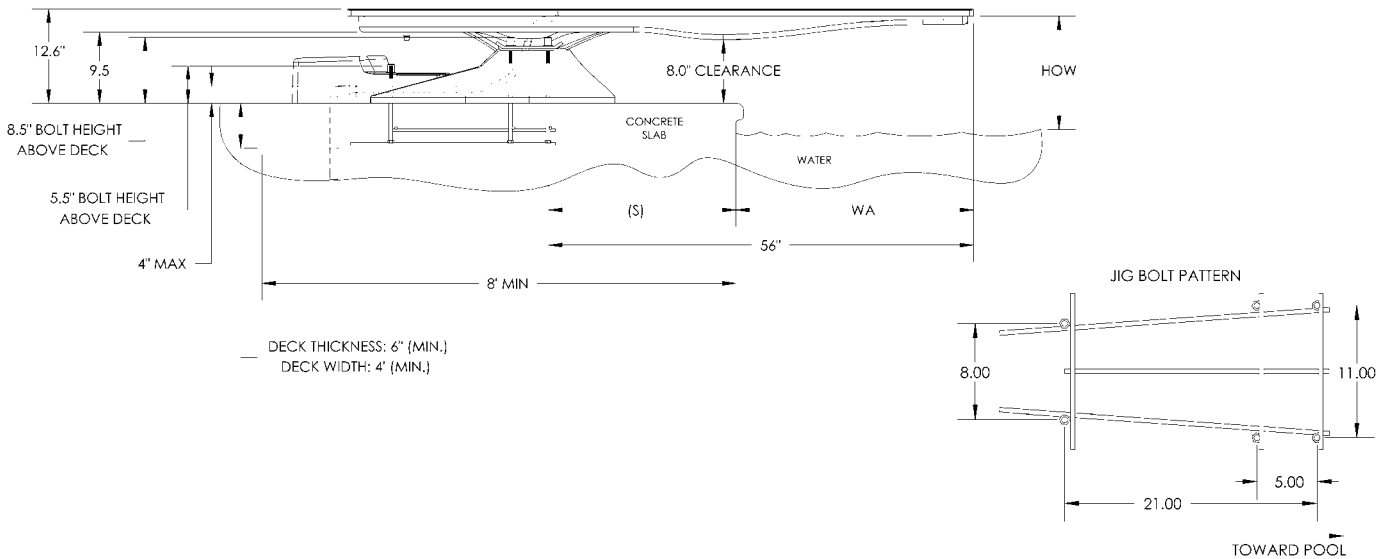


Part # T7 DB-GR (7' T7 Diving Board)
 Part # T7 BASE-GR (T7 Base & Jig)
 Part # T7 SPRING-GR (T7 Springs)

NOTE: Must order 3 parts for a complete T7 Diving System.

FEATURES:

- Unique 7' Diving Board Can Be Installed on Type I and Larger Diving Pools
- Optional 10.25" Edgewater™ Waterfall Available - Runs on as Little as 450 GPH (7.5 GPM) – *Sold Separately*
- 2 Optional Lighting Features Available - LED or Fiber Optic – *Sold Separately*
- Manufactured With Advanced Composite Materials
- Summit Gray Color Blends Well With Natural Environments
- Multiple Patents Pending



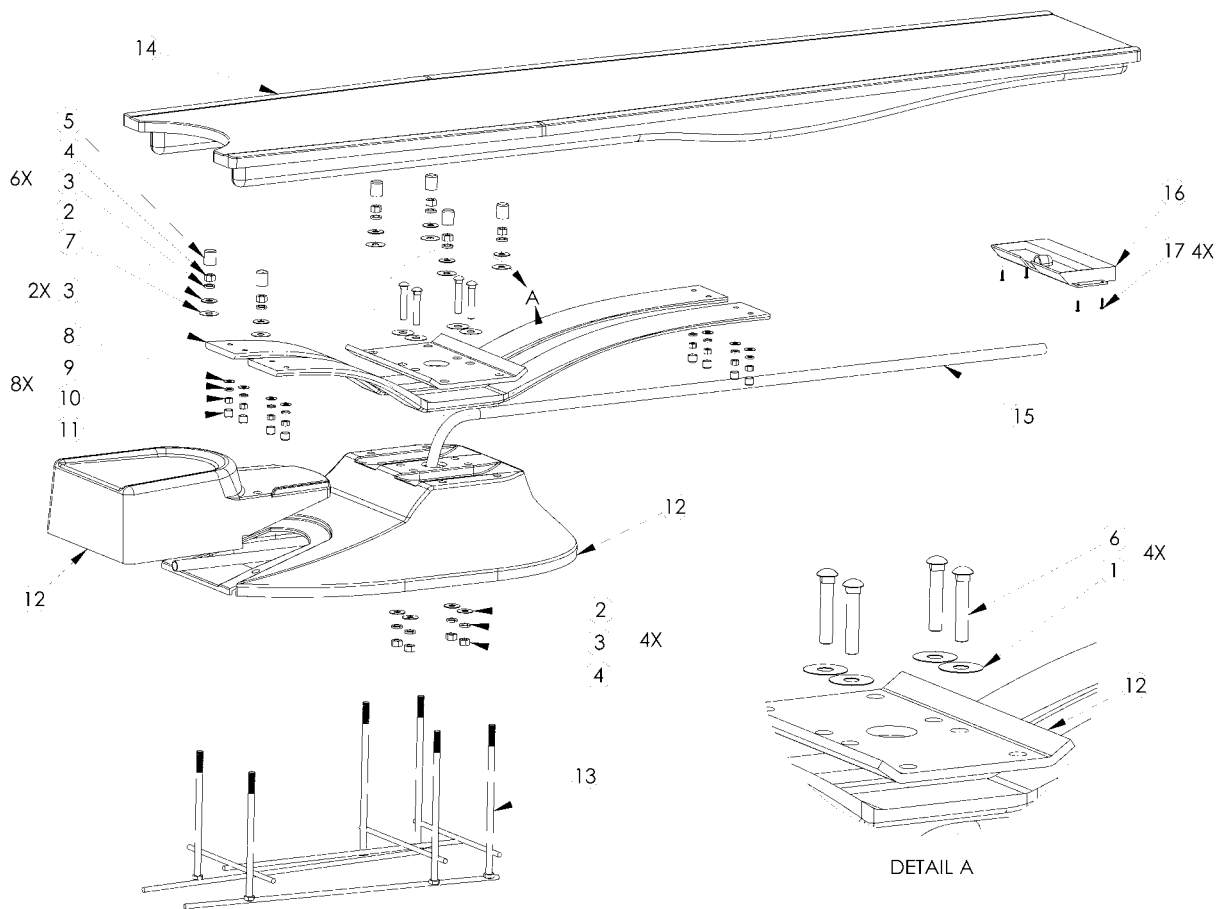
T7 DIVE STAND	NOMINAL BOARD LENGTH	ANSI/ NSPI-5 POOL TYPE	DISTANCE FROM WATER'S EDGE TO FORWARD JIG BOLT (S) *	DISTANCE FROM WATER END OF BOARD TO FORWARD JIG BOLT	MIN. OVERHANG POINT A TO POINT W +/- 3" **	MAX HEIGHT OF BOARD OVER WATER (HOW)
ONLY T7 DIVING BOARD CAN BE UTILIZED ON T7 DIVE STAND	7' T7 ONLY	I	38"	56"	18"	20"
	7' T7 ONLY	II	38"	56"	18"	20'
	7' T7 ONLY	III	32"	56"	24"	26"
	7' T7 ONLY	IV	26"	56"	30"	30"
	7' T7 ONLY	V	20"	56"	36"	40"

MUST BE INSTALLED ON TYPE I POOL OR GREATER

IMPORTANT: THESE DIMENSIONS ARE ACCURATE ONLY FOR VERTICAL POOL WALLS, **TYPICALLY GUNITE CONSTRUCTION**, WITH LESS THAN A 3' RADIUS TO THE POOL FLOOR. DUE TO THE VARYING SIZES OF OTHER POOLS, **TYPICALLY VINYL LINER CONSTRUCTION**, PLEASE CONTACT CUSTOMER SERVICE FOR PROPER JIG PLACEMENT.

1-800-737-5386

T7 DIVING SYSTEM (T7 DB-GR, T7 BASE-GR, T7 SPRING-GR):



DRAWING REPRESENTS THE FOLLOWING PART NUMBERS:

T7 DB-GR	T7 SPRING-GR
T7 BASE-GR	T7 EDGE GR

ITEM #	COMPONENT	DESCRIPTION	KITS – QTY. COUNTS		
			T7-101-SS	T7-102-SS	N/A
1	H-5/8 RD WASH	5/8" x 1-3/4" ROUND NYLON WASHER	4		
2	HSS-1/2 F WASH	1/2" FLAT WASHER STAINLESS STEEL	10		
3	HSS-1/2 LOC WAS	1/2" SPLIT LOCK WASHER STAINLESS STEEL	10		
4	HSS-1/2 H NUT	1/2" HEX NUT STAINLESS STEEL	10		
5	H-1 WHT CAP	.750 X 1" GRAY RUBBER NUT CAP	6		
6	H-SS 1/2 X 2-1/2	1/2" CARRIAGE BOLT	4		
7	H-1/2 NYLON WAS	1/2" FLAT NYLON WASHER	6		
8	H-SS 3/8 FLT WA	3/8" FLAT WASHER STAINLESS STEEL		8	
9	H-SS 3/8 LOC WA	3/8" LOCK WASHER STAINLESS STEEL		8	
10	H-SS 3/8 F NUT	3/8" HEX NUT STAINLESS STEEL		8	
11	H-.562X.390 CAP	.553 X 1/2" GRAY PROTECTIVE CAP		8	
12	T7 BASE-GR-NJ**	T7 BASE (WITHOUT JIG)			1
13	T7 JIG	T7 JIG			1
14	T7 DB-GR	7' T7 DIVING BOARD			1
15	H-1/2 SPA HOSE	1/2" PVC FLEX PIPE SPA HOSE (GRAY)			1
16	BM-T7 EDGE GR	EDGEWATER WATERFALL ASSEMBLY			1*
17	H-SS #8 X 3/4	EDGEWATER MOUNTING HARDWARE (SCREWS)			4*

* not pictured

** Part #T7 BASE-GR comes WITH jig.

NOTES:

The T7 Diving System is manufactured in Summit Gray only.

The T7 diving board, base, and springs must be used together and cannot be used separately in any other configuration.